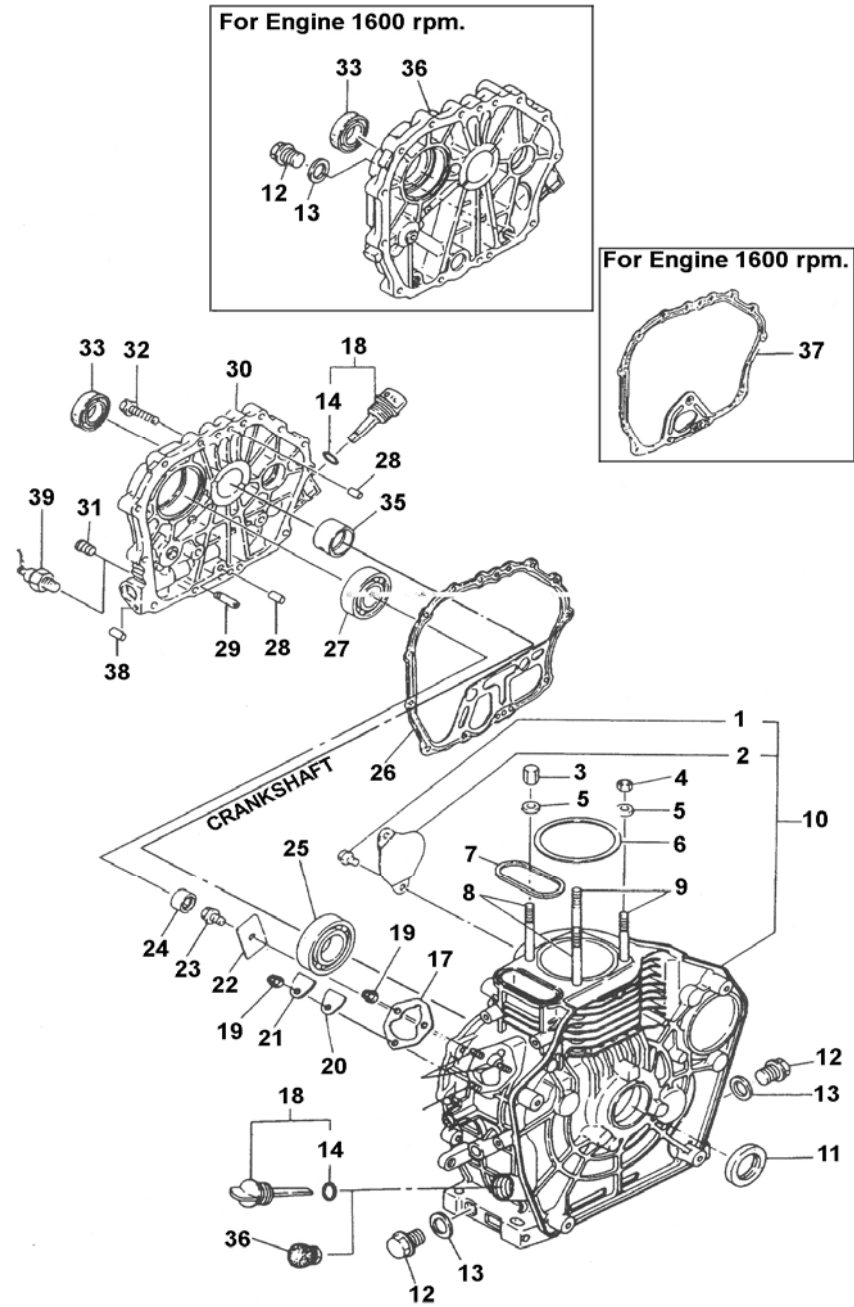


MOTORES  
A DIESEL  
4.7 / 6.7 E 10 HP

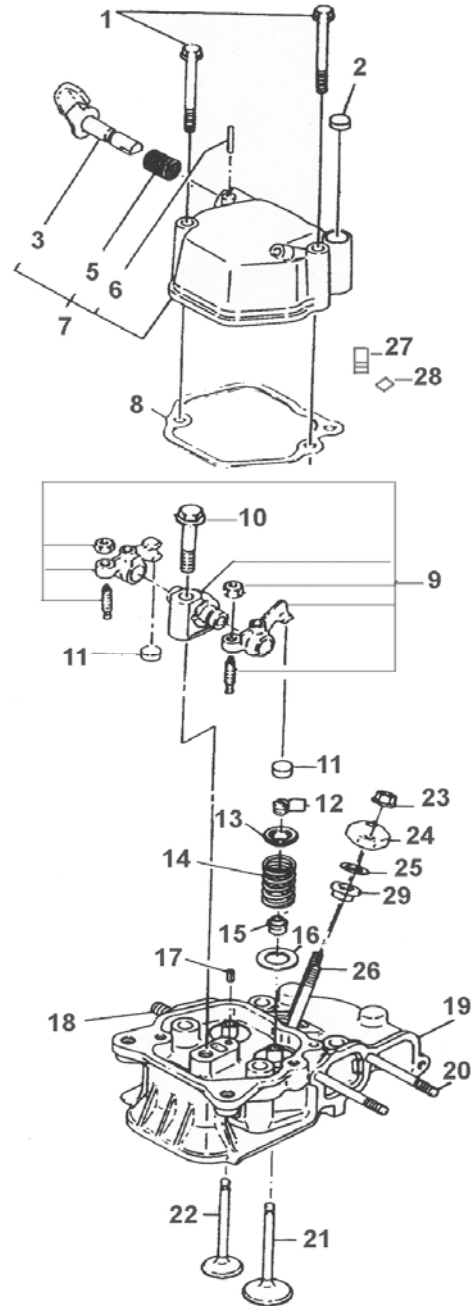
# 01 - Engine Block



Nr.	GSP Part Nr.	Description	Quantity			Price \$
			A247	A267	A210	
1	BF-M10x20	Bolt Flange M10x20mm	2	2	2	
2	M204701421	Starter Motor Hole Cover	2	2	2	
3	M204701021	Cylinder Head Nuts (long)	2	-	-	
	M206701021		-	2	-	
	M210001021		-	-	2	
4	M204701023	Cylinder Head Nuts (short)	2	-	-	
	M206701023		-	2	-	
	M210001023		-	-	2	
5	M204701160	Cylinder Head Nuts Gasket	2	-	-	
	M206701160		-	2	-	
	M210001160		-	-	2	
6	M204701030	Cylinder Head Gasket	1	-	-	
	M206701030		-	1	-	
	M210001030		-	-	1	
7	M204701026	O-Ring gasket 5,1x2,5	1	1	-	
	M210001026	O-Ring gasket 5,1x2,6	-	-	1	
8	M20470104L	Cylinder Head Bolts (long)	2	-	-	
	M20670104L		-	2	-	
	M21000104L		2	-	2	
9	M204701045	Cylinder Head Bolts (short)	2	-	-	
	M206701045		-	2	-	
	M210001045		-	-	2	
10	M204701010	Engine Block	1	-	-	
	M206701010		-	1	-	
	M210001010		-	-	1	
11	M204701994	Rear Oil Seal 30x45x8	1	1	-	
	M210001994	Rear Oil Seal 35x50x8	-	-	1	
12	M20470104K	Drain Plug	1	1	1	
13	M204701065	Deain Plug Seal	1	1	1	
14	M204721110	O-Ring For Oil Dipstick	2	2	2	
15	M204701009	Fuel Pump Fastening Bolt (short)	1	1	1	
16	M204701019	Fuel Pump Fastening Bolt (long)	2	2	2	
17	M204701011	Fuel Injector Gasket	1	1	1	
18	M204721030	Oil dipstick	2	-	-	
	M206721030		-	2	2	
19	0N-M6	Nut Flange M6	3	3	3	
20	M204701013	Sealing Plate Gasket	1	1	1	
21	M204701014	Sealing Plate	1	1	1	
22	M204701016	Thrust Piece	1	1	1	
23	BF-M8x16	Bolt Flange M8x16mm	1	1	1	
24	M204701077	Needle Bearing 7941/15	1	1	1	



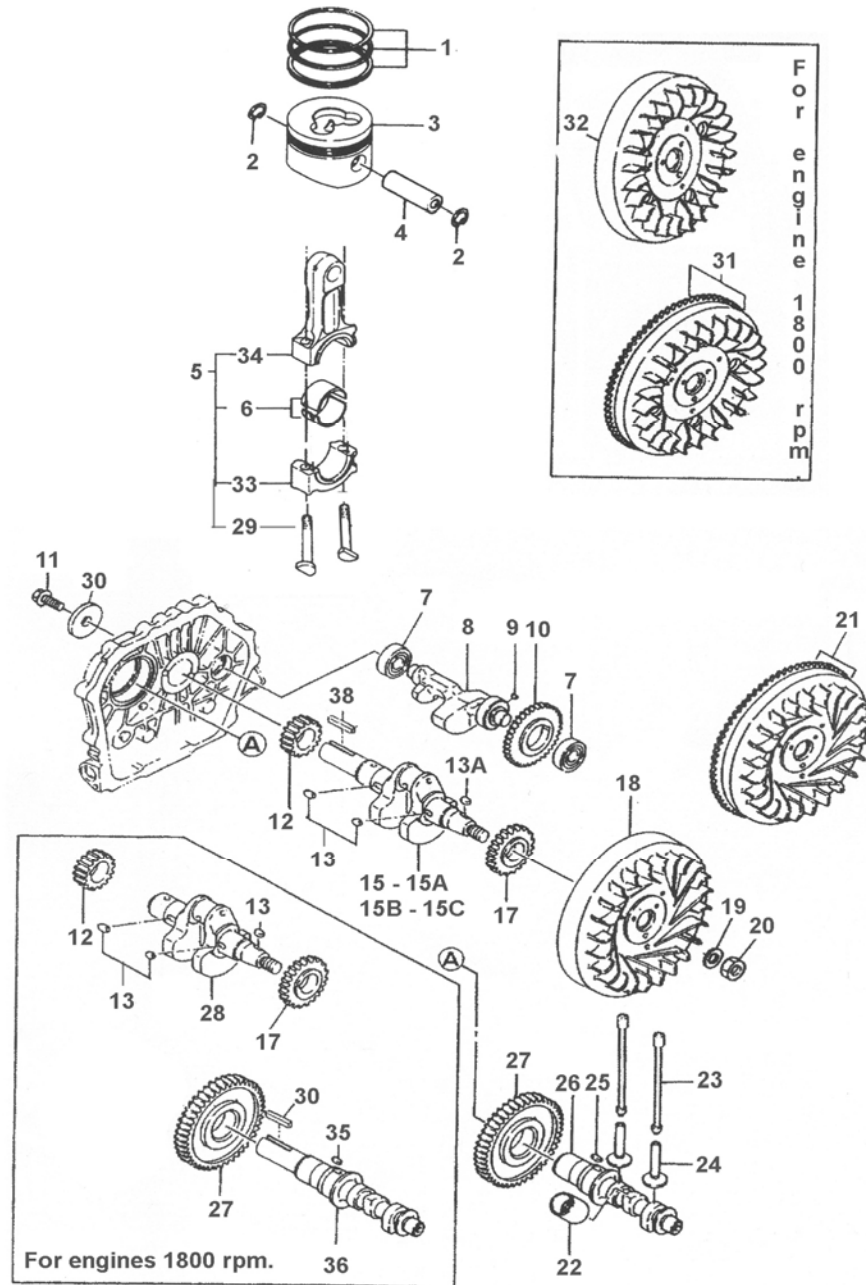
# 02 - Cylinder Head Assembly



Nr.	GSP Part Nr.	Description	Quantity			Price \$
			A247	A267	A210	
1	BF-M6x55	Bolt Flange M6x55mm	2	2	-	
	BF-M6x70	Bolt Flange M6x70mm	-	-	2	
2	M204703013	Oiling Hole Plug	1	1	1	
3	M204703002	Decompression Shaft	1	1	1	
4	M204703990	O-Ring 10x1,9	1	1	1	
5	M204703011	Decompression Shaft Spring	1	1	1	
6	OP-3x16	Retaining Pin ø3x16mm	1	1	1	
7	M204703020	Cylinder Head Cover	1	1	-	
	M210003020		-	-	1	
8	M204703030	Cylinder Head Cover Gasket	1	1	-	
	M210003030		-	-	1	
9	M204702140	Rocker Arm	1	1	-	
	M210002140		-	-	1	
9A	M204702201	Valve Clearance Adjusting Screw	2	2	2	
10	M204702142	Rocker Arm Shaft Fastening Bolt	1	1	-	
	M210002142		-	-	1	
11	M204702241	Adjusting Valve Spacer	2	-	-	
	M206702241		-	2	-	
	M210002241		2	-	2	
12	M204702441	Valve Clip	4	-	-	
	M206702441		-	4	-	
	M210002441		-	-	4	
13	M204702200	Valve Spring Seat	2	-	-	
	M206702200		-	2	-	
	M210002200		-	-	2	
14	M204702190	Valve Spring	2	-	-	
	M206702190		-	2	-	
	M210002190		-	-	2	
15	M204702211	Valve Guide Oil Seal	2	-	-	
	M206702211		-	2	-	
	M210002211		-	-	2	
16	M204702007	Valve Spring Washer	2	2	-	
	M210002007		-	-	2	
17	OP4x8	Pin 4x8	1	1	1	
18	BS-M8x20	Bolt Stud M8x20	2	2	2	
19	M204702011	Cylinder Head	1	-	-	
	M206702011		-	1	-	
	M210002011		-	-	1	
20	BS-M6x55	Bolt Stud M6x55	2	2	-	
	BS-M6x75	Bolt Stud M6x75	-	-	2	
21	M204702180	Intake Valve	1	-	-	



# 03 - Crankshaft & Piston



Nr.	GSP Part Nr.	Description	Quantity			Price \$
			A247	A267	A210	
1	M204704180	Piston Rings	1	-	-	
	M206704180		-	1	-	
	M210004180		-	-	1	
	M206704300	Piston Pin Retainer ø21mm	-	2	-	
	M210004300	Piston Pin Retainer ø23mm	-	-	2	
3	M204704100	Piston	1	-	-	
	M206704100		-	1	-	
	M210004100		-	-	1	
4	M204704110	Piston Pin	1	-	-	
	M206704110		-	1	-	
	M210004110		-	-	1	
5	M204704170	Connecting Rod	1	-	-	
	M206704170		-	1	-	
	M210004170		-	-	1	
6	M204704070	Connecting Rod Journal Bearing	2	-	-	
	M206704070		-	2	-	
	M210004070		-	-	2	
7	M204706073	Bearing 6202	2	1	-	
	M210006073	Bearing 6203	-	-	1	
8	M204706020	Balancing Shaft	1	-	-	
	M206706020		-	1	-	
	M210006020		-	-	1	
9	M204706021	Key 5x7	2	2	2	
10	M204706030	Balancing Shaft Timing Gear	1	-	-	
	M206706030		-	1	-	
	M210006030		-	-	1	
11	BF-M6x28	Bolt Flange M6 x28mm	14	-	-	
	BF-M8x33,5	Bolt Flange M8 x33,5mm	1	15	16	
12	M204706031	Crankshaft Timing Gear	1	-	-	
	M206706031		-	1	-	
	M210006031		-	-	1	
13	M204706012	Key 5x12	2	2	-	
13-A	M204708012	Key 5x14	-	-	1	
15	M2047061Q0	Crankshaft Streight with key	1	-	-	
	M2067061Q0		-	1	-	
	M2100061Q0		-	-	1	
15A	M2047061V0	Crankshaft Tappered Short	1	-	-	
	M2067061V0		-	1	-	
	M2100061V0		-	-	1	
15B	M2047061V1	Crankshaft Tappered Long	1	-	-	

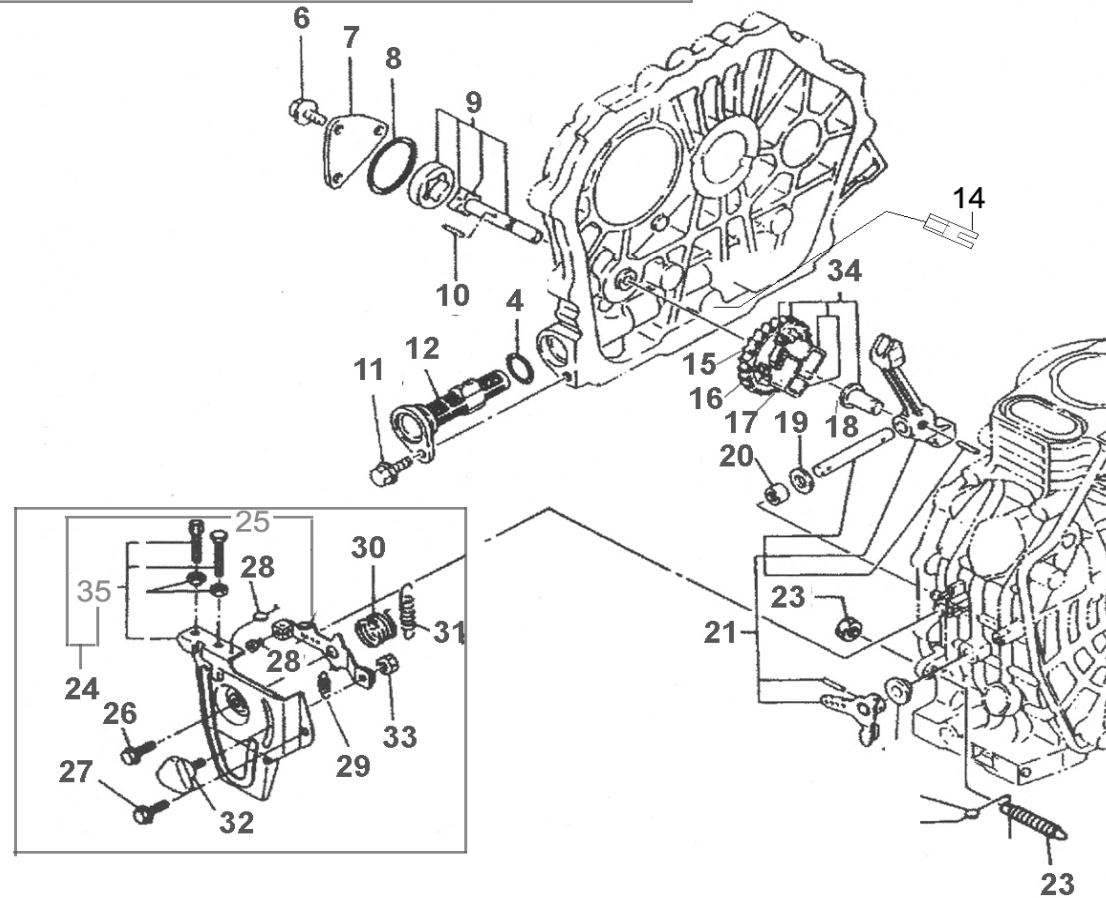
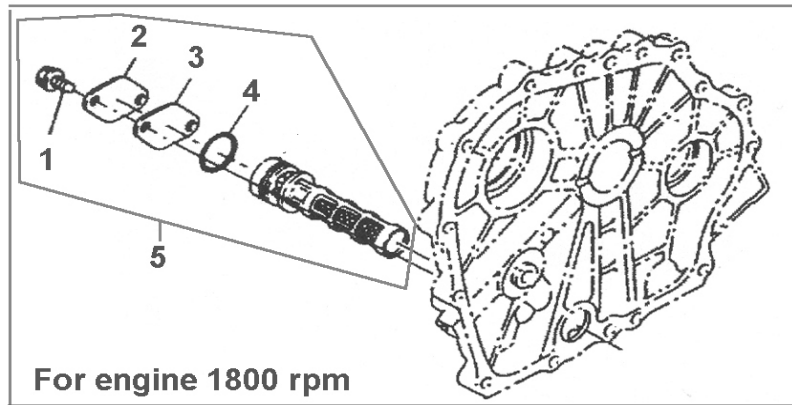
Nr.	GSP Part Nr.	Description	Quantity			Price \$
			A247	A267	A210	
15B	M2067061V1	Crankshaft Tapered Long	-	1	-	
	M2100061V1		-	-	1	
15C	M2047061T0	Crankshaft comp. External Threaded	1	-	-	
	M2067061T0		-	1	-	
	M2100061T0		-	-	1	
16	OP-6x8	Pin ø6x8mm	1	1	1	
17	M204706130	Balancing Shaft Driving Gear	1	-	-	
	M206706130		-	1	-	
	M210006130		-	-	1	
18	M204716010	Flywheel	1	-	-	
	M206716010		-	1	-	
	M210016010		-	-	1	
19	M204716088	Flywheel Nut Gasket	1	1	-	
	M210016088		-	-	1	
20	M204716089	Flywheel Nut	1	1	-	
	M210016089		-	-	1	
21	M204716189	Flywheel Ring Gear (electric starter engine)	1	-	-	
	M206716189		-	1	-	
	M210016189		-	-	1	
22	M204716155	Sleeve Of Fuel Pump	1	1	1	
23	M204708030	Push Rod	2	-	-	
	M206708030		-	2	-	
	M210008030		-	-	2	
24	M204708100	Tappet	2	-	-	
	M206708100		-	2	-	
	M210008100		-	-	2	
25	M204708012	Key 5x14	1	-	1	
	M206708012	Key 4x12	-	1	-	
26	M204708015	Camshaft	1	-	-	
	M206708015		-	1	-	
	M210008015		-	-	1	
27	M204708031	Camshaft Timing Gear	1	-	-	
	M206708031		-	1	-	
	M210008031		-	-	1	
28	M2047061S0	Crankshaft for engines 1800 rpm	1	-	-	
	M2067061S0		-	1	-	
	M2100061S0		-	-	1	
29	M204706200	Connecting rod bolt	2	-	-	
	M206706200		-	2	-	
	M210006200		-	-	2	
30	M204706011	Key 5x30	1	-	-	





Nr.	GSP Part Nr.	Description	Quantity			Price \$
			A247	A267	A210	
1	BF-M6x12	Bolt Flange M8x45mm	1	1	1	
2	M204711002	Upper Fuel Tank Bracket Fastener	1	1	1	
3	OW-M8	Flat Washer M8	1	1	1	
4	M204711003	Upper Fuel Tank Bracket	1	-	-	
	M206711003		-	1	-	
	M210011003		-	-	1	
5	M204711400	Injector	1	1	-	
	M210011400		-	-	1	
6	M204711120	Hose Clamp	2	2	2	
7	M204711017	Fuel Pipe	1	1	1	
8	M204711004	Rubber Fuel Tank Mount	4	4	4	
9	M204711010	Fuel Tank	1	-	-	
	M206711010		-	1	-	
	M210011010		-	-	1	
10	M204711700	Fuel Pipe Connectors	2	2	2	
11	M204711006	Fuel Pipe 1	1	1	1	
12	M204711155	Fuel Drain Gasket	1	1	1	
13	M204711111	Fuel Drain Plug	1	1	1	
14	M204711011	Lower Fuel Tank Bracket	1	1	1	
15	BF-M6x14	Bolt Flange M6x14mm	2	2	2	
16	ON-M6	Nut M6	2	2	2	
17	FW-M6	Flat Washer M6	2	2	2	
18	M204711014	Fuel Tank Cock Assembly	1	1	1	
19	M204711015	Flat Washer	1	1	1	
20	M204711016	Fuel Pipe Clamp	2	2	2	
21	M204711008	Fuel Pipe 2	1	1	1	
22	M204711018	Fuel Filter Gasket	1	1	1	
23	M204711019	Fuel Filter Assembly	1	-	-	
	M206711019		-	1	-	
	M210011019		-	-	1	
24	M204711020	Fuel Injector Pump	1	-	-	
	M206711020		-	1	-	
	M210011020		-	-	1	
25	M204711320	High Pressure Fuel Pipe	1	-	-	
	M206711320		-	1	-	
	M210011320		-	-	1	
26	M204711100	Fuel Cap Filter	1	1	1	
27	M204711021	Fuel Cap Assembly	1	1	1	
28	ON-M6	Nut M6	1	1	1	
<b>Please Note</b>						
01 - Fuel Tank Assembly Include Parts Nr. 9,10,11,12,13,16,17,18,19,22,23,26,27						

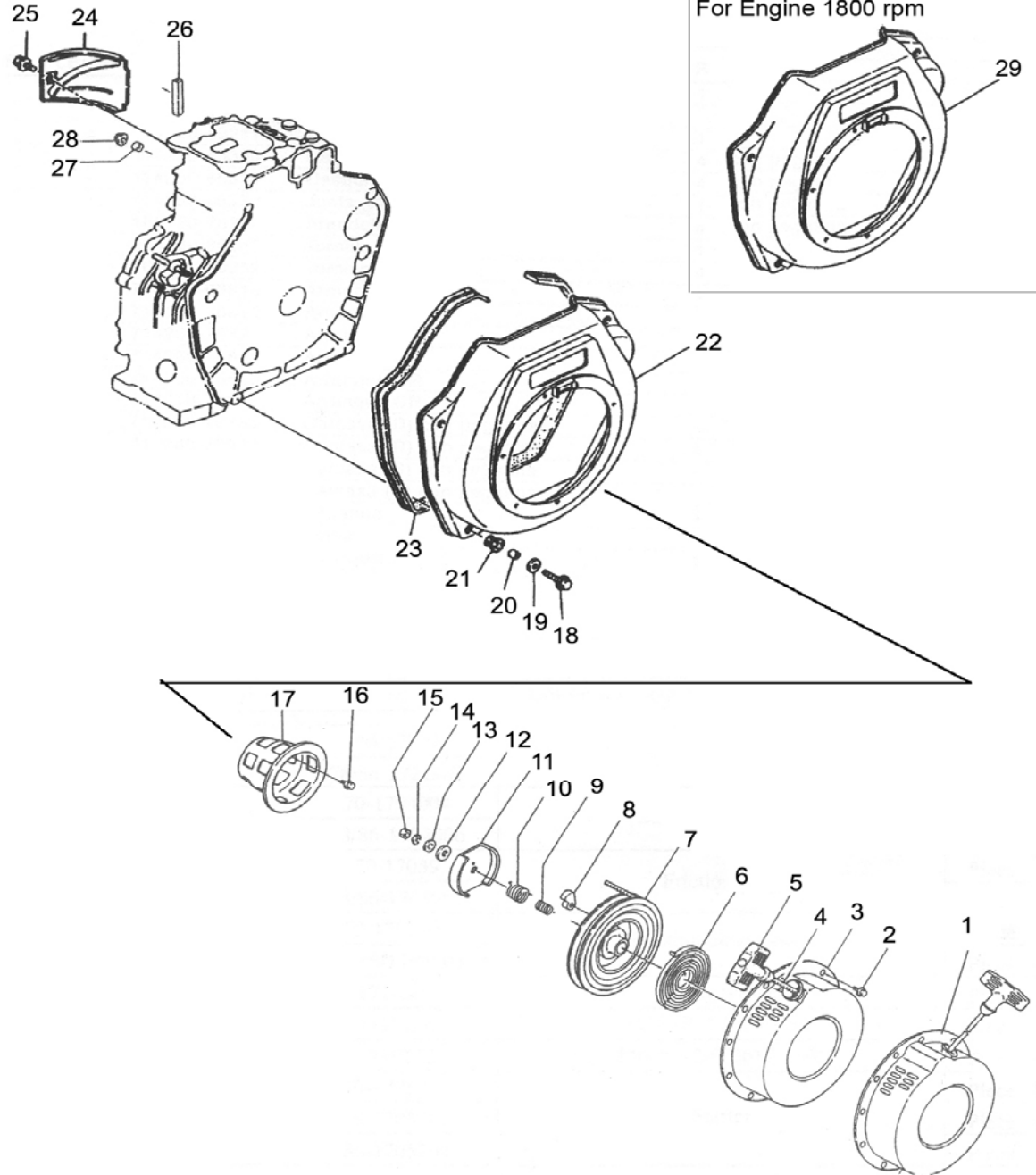
# 05 - Lubrication & Speed Control System



Nr.	GSP Part Nr.	Description	Quantity			Price \$
			A247	A267	A210	
1	BF-M6x12	Bolt Flange M6x12mm	2	2	2	
2	M204710009	Oil Filter Cover	1	1	1	
3	M204710010	Oil Filter Cover Gasket	1	1	1	
4	M204710011	Sealing Ring 20x2,5	1	-	-	
	M206710011	Sealing Ring 20x2,65	-	1	1	
5	M204710012	Oil Filter Assembly	1	1	1	
6	BF-M6x12	Bolt Flange M6x12mm	3	3	3	
7	M204710002	Oil Pump Cover	1	1	1	
8	M204710003	O-Ring 34,5x1,8	1	1	1	
9	M204710004	Oil Pump	1	-	-	
	M206710004		-	1	-	
	M210010004		-	-	1	
10	OP-3x6	Pin ø3x6mm	1	1	1	
11	BF-M6x14	Bolt Flange M6x14mm	1	1	1	
12	M204705555	Oil Filter Cleaning Element	1	1	1	
14	M204713400	Oil Guide	1	1	1	
15	M204713320	Oil Pump Driving Gear	2	-	-	
	M206713320		-	1	-	
	M210013320		-	-	1	
16	M204713020	Fly Block Pin	1	1	1	
17	M204713019	Fly Block	2	2	2	
18	M204713018	Governor Fork Tappet	2	2	2	
19	M204713700	Lever Shaft Gasket	1	1	1	
20	M204713705	Bearing 7941/8	1	1	1	
21	M204713021	Fork Lever Assy.	2	-	-	
	M206713021		-	1	-	
	M210013021		-	-	1	
22	M204713014	Washer	1	1	1	
23	M204701005	Fuel Controller Parts	1	-	-	
	M206701005		-	1	-	
	M210001005		-	-	1	
24	M204713004	Handle Bracket	1	1	1	
25	M204713005	Speed Control Lever	1	1	1	
26	BF-M6x14	Bolt Flange M6x14mm	1	1	1	
27	BF-M6x18	Bolt Flange M6x18mm	1	1	1	
28	M204713003	Lead Seal	1	1	1	
29	M204713010	Return Spring 1	1	1	1	
30	M204713011	Return Spring 2	1	1	1	
31	M204713112	Speed Control Spring	1	-	-	
	M206713112		-	1	-	
	M210013112		-	-	1	



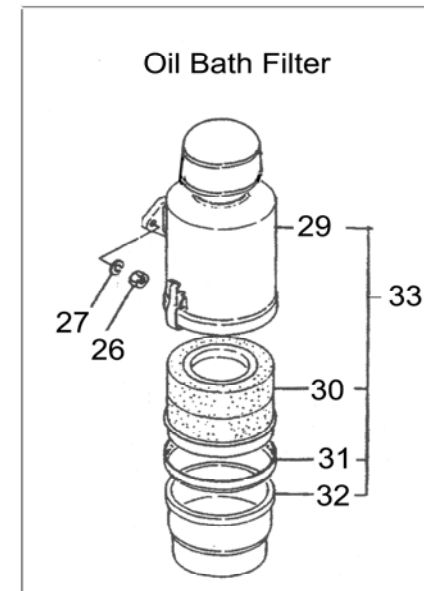
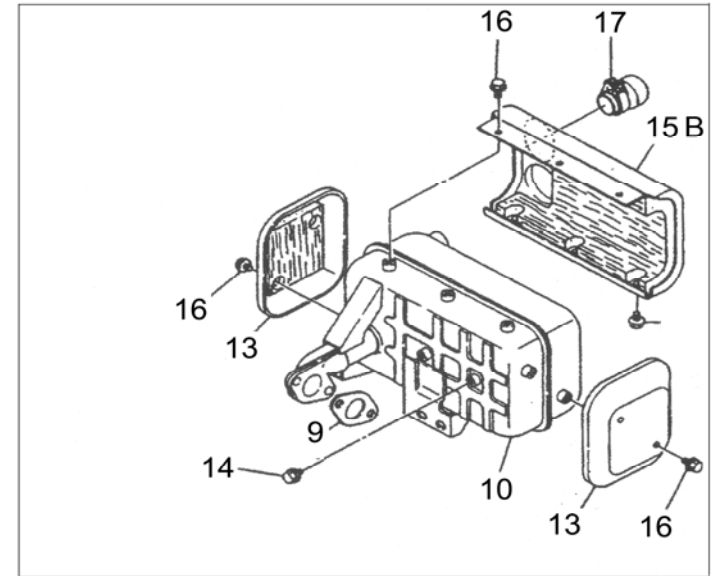
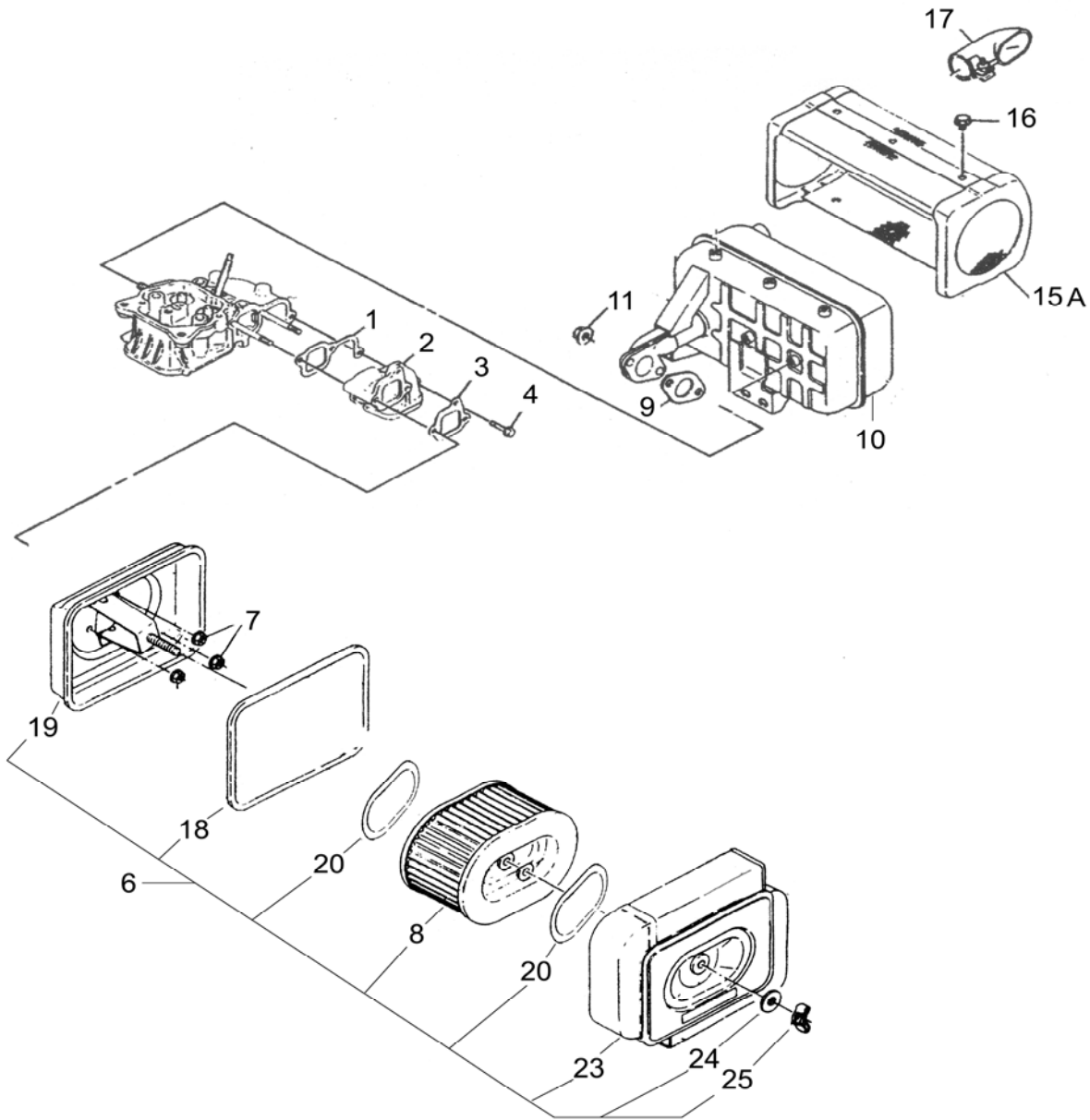
# 06 - Fan Cooling & Recoil Starter



Nr.	GSP Part Nr.	Description	Quantity			Price \$
			A247	A267	A210	
1	M204714013	Recoil Starter Assembly	1	-	-	
	M206714013		-	1	-	
	M210014013		-	-	1	
2	BF-M6x8	Bolt Flange M6x8mm	4	4	4	
3	M204714213	Recoil Starter Case	1	-	-	
	M206714213		-	1	-	
	M210014213		-	-	1	
4	M204714110	Recoil Starter Rope	1	-	-	
	M206714110		-	1	-	
	M210014110		-	-	1	
5	M204714120	Recoil Starter Handle	1	-	-	
	M206714120		-	1	-	
	M210014120		-	-	1	
6	M204714100	Flat Torsional Spring	1	-	-	
	M210014100		-	1	1	
7	M204714030	Recoil Starter Reel	1	-	-	
	M206714030		-	1	-	
	M210014030		-	-	1	
8	M204714265	Starting Claw	2	-	-	
	M206714265		-	2	2	
9	M204714260	Helical Spring	1	-	-	
	M206714260		2	1	1	
10	M204714255	Torsional Spring	1	-	-	
	M206714255		-	1	1	
11	M204714250	Starting Claw Plate	1	-	-	
	M206714250		-	1	1	
12	M204714150	Friction Plate	1	-	-	
	M206714150		-	1	1	
13	M204714130	Friction Plate Gasket	1	-	-	
	M206714130		-	1	1	
14	SW-M6	Spring Washer M6	1	1	1	
15	ON-M6	Nut M6	1	1	1	
16	BF-M6x12	Bolt Flange M6x12mm	3	3	3	
17	M204716100	Starter Pulley	1	-	-	
	M206716100		-	1	-	
	M210016100		-	-	1	
18	BF-M6x22	Bolt Flange M6x22mm	5	-	-	
			-	4	4	
19	OW-M6	Washer M6	5	-	-	
			-	4	4	
20	M204715004	Collar	5	-	-	



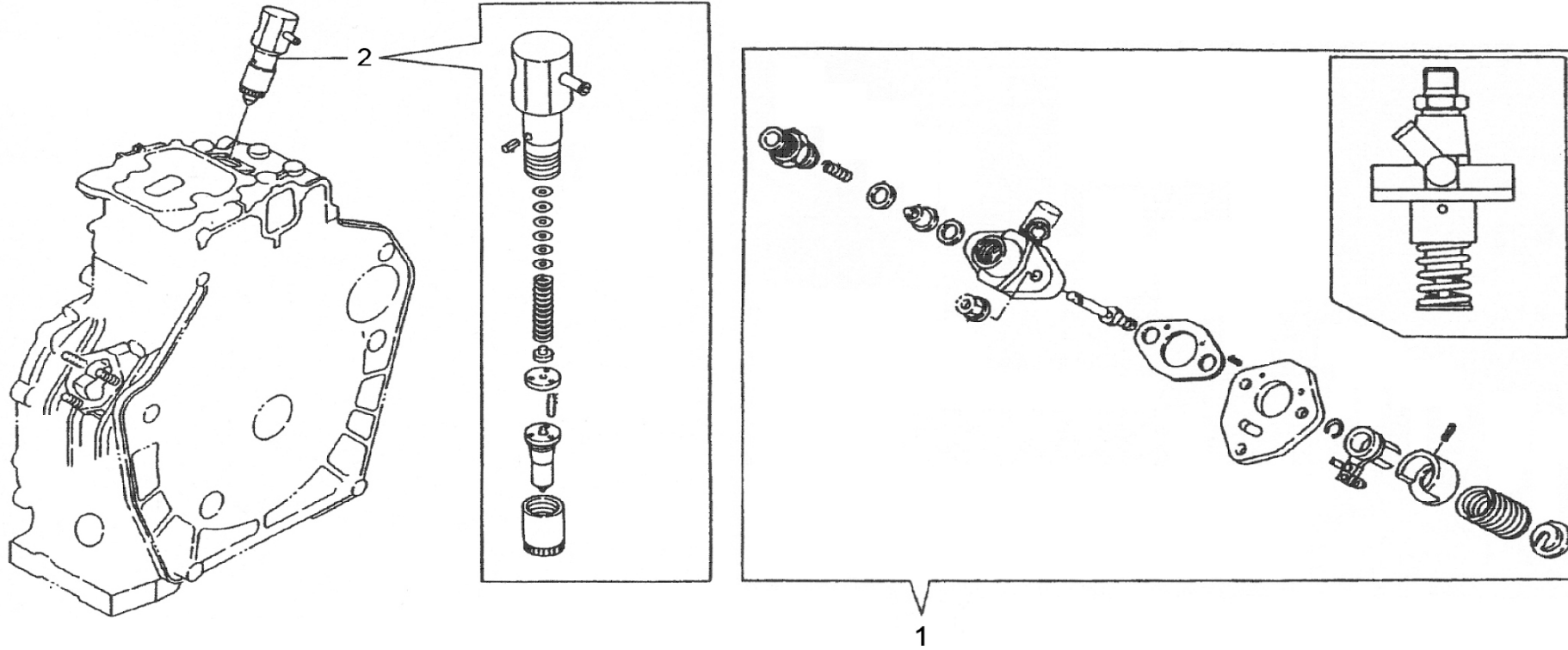
# 07 - Air Cleaner & Muffler



Nr.	GSP Part Nr.	Description	Quantity			Price \$
			A247	A267	A210	
1	M204702112	Intake Pipe Gasket	2	-	-	
	M206702112		-	1	-	
	M210002112		-	-	1	
2	M204707111	Intake Pipe	1	-	-	
	M206707111		-	1	-	
	M210007111		-	-	1	
3	M204707113	Air Cleaner Gasket	3	3	-	
	M210007113		-	-	1	
4	M204707011	Bolt Stud	1	1	1	
5	BF-M6x22	Bolt Flange M6x22mm	1	1	1	
6	M204707250	Air Filter Assy	1	1	-	
	M210007250		-	-	1	
7	ON-M6	Nut M6	1	1	1	
8	M204707030	Air Filter Element	1	1	-	
	M210007030		-	-	1	
9	M204702100	Muffler Gasket	1	1	-	
	M210002100		-	-	1	
10	M204709100	Muffler	1	-	-	
	M206709100		-	1	-	
	M210009100		-	-	1	
11	OW-M8	Flat Washer M8	2	2	2	
13	M210009177	Muffler Side Cover	-	-	1	
14	BF-M6x14	Bolt Flange M6x14mm	1	-	-	
	BF-M8x14	Bolt Flange M8x14mm	-	2	2	
15A	M204709120	Muffler Screen Cover	1	-	-	
	M206709120		-	1	-	
15B	M210009120		-	-	1	
16	BF-M6x14	Bolt Flange M6x14mm	1	1	1	
17	M204709220	Muffler Tail Pipe	1	1	-	
	M210009220		-	-	1	
18	M204707200	Air Cleaner Sealing Gasket	1	1	-	
	M210007200		-	-	1	
19	M204707010	Bottom Case Assy.	1	1	-	
	M210007010		-	-	1	
20	M204707200	Shock Proof Sealing Ring	2	2	-	
	M210007200		-	-	2	
22	M204707220	Air Filter Shock Absorber A	1	1	-	
	M210007220		-	-	1	
23	M204707666	Air Filter Front Case.	1	1	-	
	M210007666		-	-	1	
24	M204707210	Air Filter Shock Absorber B	1	1	-	

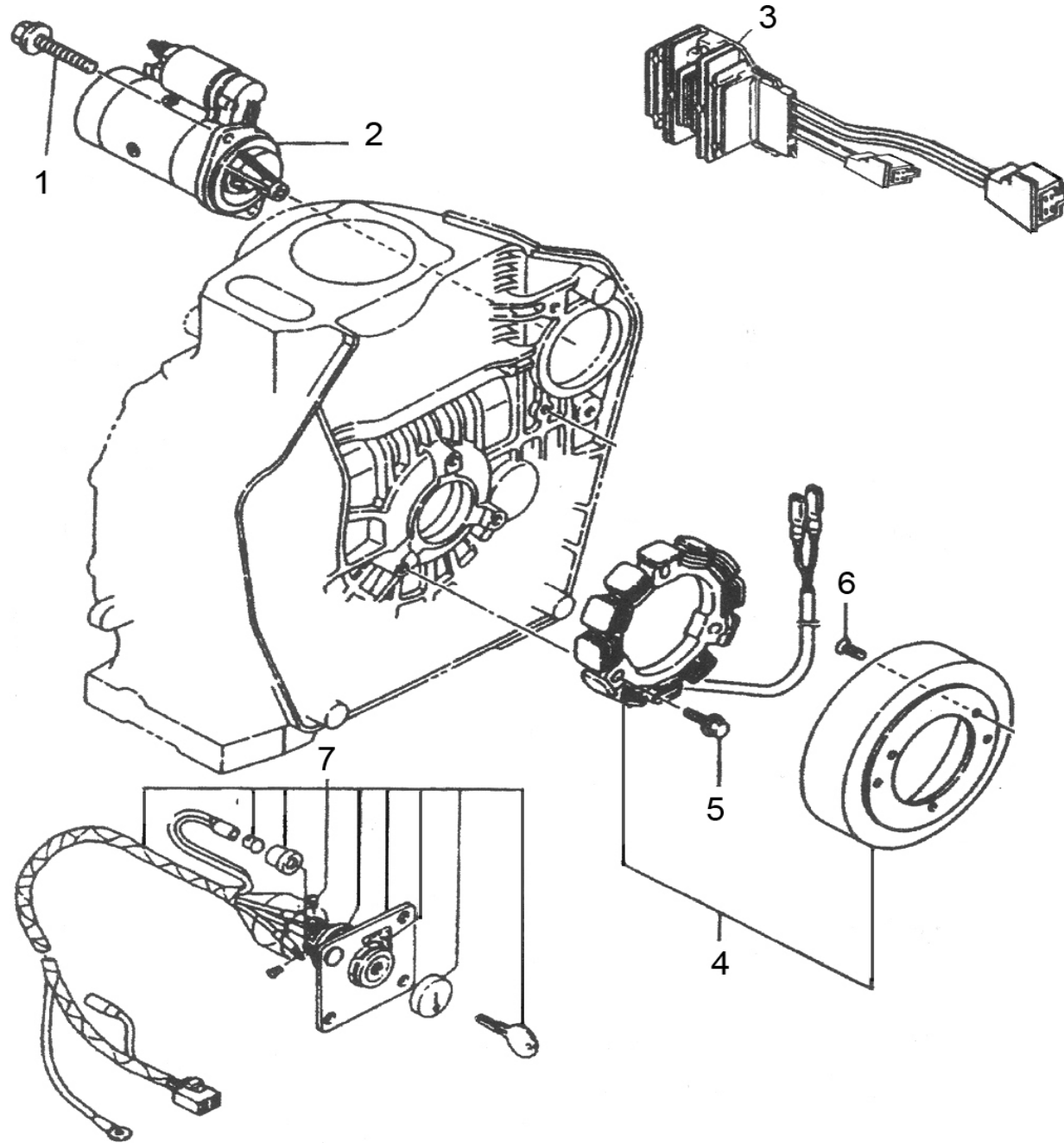


# 08 - Fuel Pump & Injector



Nr.	GSP Part Nr.	Description	Quantity			Price \$
			A247	A267	A210	
1	M204711020	Fuel Injector Pump	1	-	-	
	M206711020		-	1	-	
	M210011020		-	-	1	
2	M204711400	Injector	1	1	-	
	M210011400		-	-	1	

# 09 - Electric Starter Engine



Nr.	GSP Part Nr.	Description	Quantity			Price \$
			A247	A267	A210	
1	BF-M10x35	Bolt Flange M10x35mm	2	2	2	
2	M204717000	Starter Engine	1	1	1	
3	M204717005	Rectifier	1	1	1	
4	M204717010	Dynamo	1	1	1	
5	BF-M6x18	Bolt Flange M6x18mm	3	3	3	
6	BF-M6x12	Bolt Flange M6x12mm	3	3	3	
7	M204717015	Key Assy	1	1	1	